

6. CERTIFICATE OF ACCEPTANCE

Coordinate commutator METAKOM

COM-25U COM-25UD

complies with the technical specifications and is considered suitable for operation.

Release date _____

OTK representative _____ seal

The address of the manufacturer:
Russia, 241024, Bryansk, Delegate str., 68, LLC
"Metacom"
tel./fax: (4832) 68-28-26
Tel. (4832) 68-28-25
[http:// www.metakom.ru](http://www.metakom.ru) E-mail: os@metakom.ru



The product is certified

COMMUTATOR SWITCH

METAKOM COM-25U(D)

PASSPORT

USER'S MANUAL

1. PURPOSE

Commutator switch METAKOM COM-25U (METAKOM COM-25UD) is intended for switching of subscriber lines in intercom systems based on the outdoor panels of METACOM and designed for connection of up to 25 subscribers, respectively. The index "D" in the name of the switch means the possibility of connecting two outdoor panels.

2. PRINCIPLE OF OPERATION

To establish communication with the subscriber, the outdoor panel on the DTx line transmits the called party number to the switch. The switch, in accordance with the subscriber's number, includes one of the 5 keys of the "Ten" bus and one of the 5 keys of the "Units" bus, thus ensuring the connection to the conversation line of the intercom of the required subscriber's handset.

3. CONNECTING CALL PANELS

The outputs of the call panel are connected to the corresponding inputs of the switch, i.e. + 12V of the calling panel to + 12V of the switch, GND of the panel -GND switch, LINE of the panel - LN1 of the switch, DATA of the panel - DT1 of the switch. The diagram of the connection of the subscriber handsets to the switch is shown in Fig. 1

When using the calling panels that allow the expansion of the switches (see the call panel passport) to increase the number of served subscribers, it is necessary to install jumper J1, J2, J3 in accordance with the switch address in the network. The address of the switch is calculated by the formula:

$A = J1 * 1 + J2 * 2 + J3 * 4$, where $JN = 1$ if the corresponding jumper is closed and $JN = 0$ if it is open.

If the calling panel doesn't allow the expansion of switches or only one switch is installed, then jumpers should not be installed..

After installation, it is necessary to configure the calling panel to work with this switch (see the passport to the calling panel).

Switches with index "D" are designed to connect two calling panels (see Figure 2). When the connection is established, the switch selects a conversation line (LN1 or LN2) of the calling panel from which the subscriber number was received.

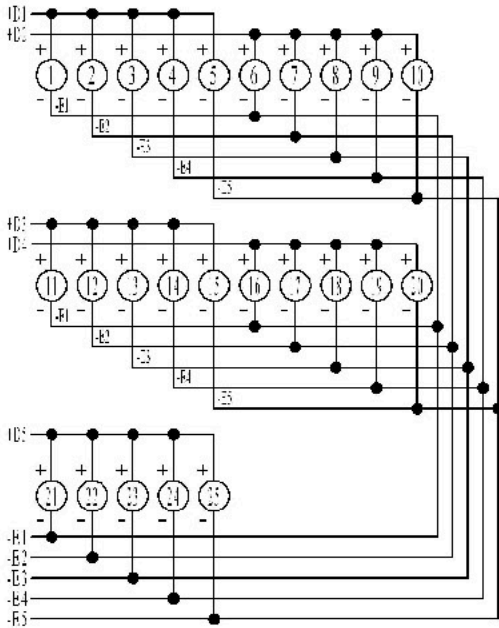


Fig. 1. The scheme of connecting the handsets to the switch.

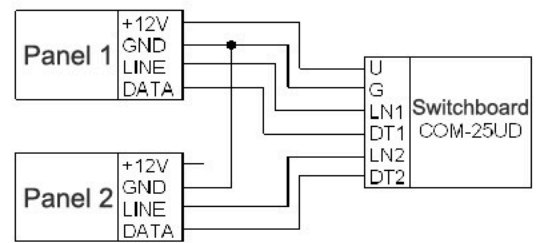


Fig. 2. Connection of two call panels.

4. CONTENTS OF DELIVERY

METACOM switch	1 pcs.
Passport	1 pcs.
Fasteners	1 set
Individual packing	1 pcs.

5. WARRANTY LIABILITIES

The manufacturer guarantees the compliance of the METACOM COM-25U switch (METAKOM COM-25UD) with the requirements of MTKM.420570.003 TU when the user applies the rules of use, storage and transportation.

Warranty period - 12 months from the date of sale, but not more than 18 months from the date of manufacture.

The service life of the product is 5 years from the date of manufacture.

If there is a violation of the integrity of the seals and / or the presence of mechanical, electrical or other types of damage caused by improper transportation, storage, operation or actions of third parties, no claims for quality are accepted and no warranty repair is performed.